

Technical features

Power supply

Three-phase voltage from 24V to 690V, 50Hz or 60Hz or single-phase 100-130V, 60Hz and 200-240V, 50Hz (single-phase types are supplied without capacitor); suitable for use with an inverter from 20Hz to the base frequency with constant torque load profile.

Polarity

2, 4, 6 and 8 standard poles, 10 and 12 poles on request.

Conformity with European Directives

Low voltage 2006/95/EC; ATEX 94/9/EC.

Reference Regulations

EN 60034-1, IEC/EN 61241-0, IEC/EN 61241-1.

Functioning

Continual service (S1) at maximum declared centrifugal force and electric power. Intermittent services are also possible depending on the type of vibrator and the operating conditions. For detailed information, contact our technical assistance office.

Centrifugal force

Range extended up to 30500 Kgf. (300 kN), with centrifugal force adjustable from 0 to 100%.

Mechanical protection

IP 66 according to IEC 529, EN 60529.

Protection against mechanical impacts

IK 08 according to IEC 68, EN 50102.

Insulation class

Class F (155°C), class H (180°C) on request.

Tropicalization

Standard on all vibrators, with vacuum encapsulation up to gr. AF 33 and 35, with "drop by drop" trickle system for larger sizes.

Ambient temperature

From -20°C to +40°C. Versions for higher or lower temperatures are available on request.

Vibrator thermal protection

Standard PTC rated thermistor heat detectors 130°C (DIN 44081-44082) from size 70, on request for smaller sizes. On request, thermistors with different temperatures and anti-condensation heaters.

Fixing of the vibrator

In all positions and therefore without restriction.

Lubrication

All vibrators are lubricated in the factory and do not require further lubrication if used in normal operating conditions ("FOR LIFE" lubrication). In heavy duty operating conditions periodical re-lubrication may be applied to size 35 and larger.

Terminal box

Large fixed electrical connections. Special shaped terminals allow to fix the power supply cable, protecting it from loosening.

Electric motor

Three-phase asynchronous type. Designed for maximum starting torques and torque curves specific to requirements of vibrating machines. Insulated windings using vacuum encapsulating up to size 35; using the "drop by drop" trickle system with class H resin for larger sizes. The rotor is die cast aluminium.

Casing

In high-tensile aluminium alloy up to size 60, in spheroidal cast iron for larger sizes. Patented shape that improves heat dispersion and lowers normal working temperature at full load.

Bearing flange

Constructed in cast iron (spheroidal or grey) or in aluminium with steel bearing seat. The geometry of the flange transmits the load to the casing uniformly.

Bearings

Custom made with particular geometry, especially designed for Italvibras, suitable to support both high radial and axial loads.

Motor shaft

In treated steel alloy (Isothermic hardening) resistant to stress.

Eccentric weights

Allow continual adjustment of the centrifugal force. This adjustment is realized by a graduated scale, which expresses the centrifugal force as a percentage of the maximum centrifugal force. A patented system (patent N°MO98A000194), called ARS, prevents adjustment errors.

Weight covers

In aluminium alloy. On several sizes split covers are available, please refer to section MVSI-TS on page 14. On request stainless steel AISI 304 weight covers can be supplied.

Painting

Electrostatic surface treatment based on polymerised epoxy polyester powder in oven at 200°C. Tested in salt spray for 500 hours.

Stainless steel protection

On request, corrosion high grade protection (stainless steel micro suspensions in a polyurethane paint) is available.

Several sizes are available with different mounting bolt patterns. Please contact sales office at Italvibras.

2 poles - 3000/3600 rpm

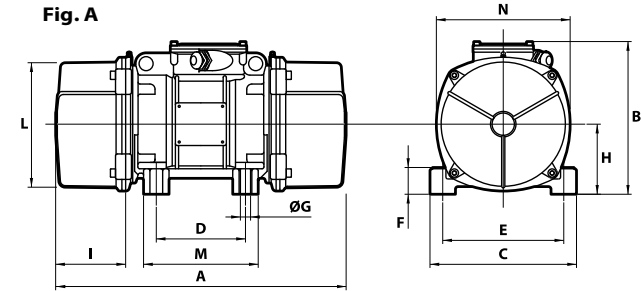
Description		Mechanical specifications										Electrical specifications						
Code	Type	SIZE	II2D Temp. class	Static moment* kgmm		Centrifugal force				Weight kg		Max input power W		Max. current A		I _a /I _n		
				50 Hz	60 Hz	50 Hz	60 Hz	50 Hz	60 Hz	50 Hz	60 Hz	50 Hz	60 Hz	400 V 50 Hz	460 V 60 Hz	50 Hz	60 Hz	
three-phase	600311	MVSI 3/100-S02	00	• 120°C	12.0	12.0	121	174	1.19	1.71	5.60	5.60	180	180	0.35	0.30	2.68	3.00
	600312	MVSI 3/200-S02	01	• 120°C	21.0	15.0	211	218	2.07	2.14	6.40	6.20	180	180	0.35	0.30	2.68	3.00
	600313	MVSI 3/300-S02	10	• 120°C	30.1	20.4	304	297	2.98	2.91	9.70	9.20	260	270	0.60	0.50	3.47	4.20
	600314	MVSI 3/500-S02	20	• 120°C	49.9	32.4	503	471	4.93	4.62	14.8	13.8	450	500	0.80	0.75	4.21	4.80
	600366	MVSI 3/700-S02	20	• 120°C	72.8	-	734	-	7.19	-	15.1	-	450	-	0.8	-	4.21	-
	600381	MVSI 3/800-S02	30	• 120°C	78.0	52.0	785	754	7.70	7.40	21.0	20.0	650	685	1.10	1.00	3.83	6.00
	600513	MVSI 3/1100-S02	35	• 120°C	110	73.0	1105	1061	10.8	10.4	23.0	22.0	1000	1200	1.75	1.75	3.63	4.00
	600491	MVSI 3/1300-S08	AF33	• 200°C	128	91.6	1290	1327	12.7	13.0	27.0	25.7	1300	1350	2.10	1.90	3.96	4.98
	600504	MVSI 3/1500-S08	AF33	• 200°C	146	110	1470	1595	14.4	15.6	25.3	24.0	1300	1350	2.10	1.90	3.96	4.98
	600502	MVSI 3/1600-S02	50	• 200°C	153	102	1545	1483	15.2	14.5	33.0	31.5	1400	1450	2.30	2.00	4.95	6.12
	600503	MVSI 3/1800-S02	50	• 200°C	179	128	1802	1853	17.7	18.2	34.0	32.5	2000	2000	3.30	2.90	4.33	5.50
	600256	MVSI 3/2010-S90	AF50	• 200°C	205	128	2059	1853	20.2	18.2	48.7	46.3	2200	2200	3.50	3.00	4.62	6.00
	600257	MVSI 3/2310-S90	AF50	• 200°C	230	153	2316	2224	22.7	21.8	49.6	47.1	2200	2200	3.50	3.00	4.62	6.00
	600470	MVSI 3/3200-S02	AF70	• 135°C	344	215	3457	3112	33.9	30.5	94.0	90.0	4000	4000	6.50	5.60	4.46	5.18
	600471	MVSI 3/4000-S02	AF70	• 135°C	387	258	3890	3735	38.2	36.6	96.0	92.0	4000	4000	6.50	5.60	4.46	5.18
	600472	MVSI 3/5000-S02	AF70	• 135°C	515	344	5187	4979	50.9	48.8	109	105	5000	5000	7.60	6.90	5.54	7.10
	600276	MVSI 3/6510-S02	90	• 135°C	630	443	6357	6420	62.4	63.0	184	178	5500	5500	9.20	8.00	6.45	7.20
	600201	MVSI 3/9000-S90	95	- 135°C	895	619	9007	8970	88.4	88.0	215	210	10000	9300	18.0	13.0	4.39	5.23
Single-phase	600311	MVSI 3/100-S02	00	• 120°C	12.0	12.0	121	174	1.19	1.71	5.60	5.60	165	165	0.75	1.52	1.67	2.24
	600312	MVSI 3/200-S02	01	• 120°C	21.0	15.0	211	218	2.07	2.14	6.40	6.20	165	165	0.75	1.52	1.67	2.24
	600313	MVSI 3/300-S02	10	• 120°C	30.1	20.4	304	297	2.98	2.91	9.70	9.20	280	280	1.25	2.40	2.48	3.52
	600314	MVSI 3/500-S02	20	• 120°C	49.9	32.4	503	471	4.93	4.62	14.8	13.8	500	500	2.30	4.50	3.35	4.22
	600366	MVSI 3/700-S02	20	• 120°C	72.8	-	734	-	7.19	-	15.1	-	500	-	2.30	-	3.35	-
	600381	MVSI 3/800-S02	30	• 120°C	78.0	52.0	785	754	7.70	7.40	16.8	15.9	700	750	3.25	7.00	4.00	4.14

* Working moment = 2 x static moment. I_a/I_n = ratio between start-up current and maximum current.

2 poles - 3000/3600 rpm

	Type	Fig.	Dimensional specifications (mm)													Capacitor (µF)		Cable entry thread
			A	B	C	D	E	Holes		F	H	I	L	M	N	220 V 50 Hz	115 V 60 Hz	
								øG	N°									
three-phase	MVSI 3/100-S02	A	211	153	125	62-74**	106	9	4	24	61	46	103	100	117	-	-	M20x1,5
	MVSI 3/200-S02	A	235	153	125	62-74**	106	9	4	24	61	58	103	100	117	-	-	M20x1,5
	MVSI 3/300-S02	A	255	179	152	90	125	13	4	28	73	54	127	128	141	-	-	M20x1,5
	MVSI 3/500-S02	A	288	203	167	105	140	13	4	30	82.5	65	145	140	160	-	-	M25x1,5
	MVSI 3/700-S02	A	288	203	167	105	140	13	4	30	82.5	65	145	140	160	-	-	M25x1,5
	MVSI 3/800-S02	A	308	216	205	120	170	17	4	45	93.5	63	170	160	182	-	-	M25x1,5
	MVSI 3/1100-S02	A	435	225	205	120	170	17	4	54	104.5	117,5	187	162	203	-	-	M25x1,5
	MVSI 3/1300-S08	A	375	216.5	215	100	180	17	4	47	93,5	106	170	145	182	-	-	M25x1,5
	MVSI 3/1500-S08	A	375	216.5	215	100	180	17	4	47	93,5	106	170	145	182	-	-	M25x1,5
	MVSI 3/1600-S02	A	430	246	230	140	190	17	4	54	116	99	207	190	225	-	-	M25x1,5
	MVSI 3/1800-S02	A	430	246	230	140	190	17	4	54	116	99	207	190	225	-	-	M25x1,5
	MVSI 3/2010-S90	A	465	230	230	140	190	17	4	49	104	105	186	180	200	-	-	M25x1,5
	MVSI 3/2310-S90	A	465	230	230	140	190	17	4	49	104	105	186	180	200	-	-	M25x1,5
	MVSI 3/3200-S02	A	560	290	310	155	255	25	4	90	130	137	238	210	253	-	-	M25x1,5
	MVSI 3/4000-S02	A	560	290	310	155	255	25	4	90	130	137	238	210	253	-	-	M25x1,5
MVSI 3/5000-S02	A	560	290	310	155	255	25	4	90	130	137	238	210	253	-	-	M25x1,5	
MVSI 3/6510-S02	A	680	370	390	200	320	28	4	90	180	160	330	270	350	-	-	M32x1,5	
MVSI 3/9000-S90	A	629	395	392	200	320	28	4	100	192	135	355	270	375	-	-	M32x1,5	

Fig. A



Single-phase	MVSI 3/100-S02	A	211	153	125	62-74**	106	9	4	24	61	46	103	100	117	10	28	M20x1,5
	MVSI 3/200-S02	A	235	153	125	62-74**	106	9	4	24	61	58	103	100	117	10	28	M20x1,5
	MVSI 3/300-S02	A	255	179	152	90	125	13	4	28	73	54	127	128	141	16	25	M20x1,5
	MVSI 3/500-S02	A	288	203	167	105	140	13	4	30	82.5	65	145	140	160	12.5	50	M25x1,5
	MVSI 3/700-S02	A	288	203	167	105	140	13	4	30	82.5	65	145	140	160	12.5	-	M25x1,5
	MVSI 3/800-S02	A	307	210	205	120	170	17	4	45	91.5	51	168	160	178	25	90	M25x1,5

** Slot. Several sizes are available with different mounting bolt patterns. Please contact sales office at Italvibras.

4 poles - 1500/1800 rpm

	Description				Mechanical specifications								Electrical specifications					
	Code	Type	SIZE	II2D Temp. class	Static moment* kgmm		Centrifugal force				Weight kg		Max input power W		Max. current A		I _a /I _N	
					50 Hz	60 Hz	50 Hz	60 Hz	50 Hz	60 Hz	50 Hz	60 Hz	50 Hz	60 Hz	400 V 50 Hz	460 V 60 Hz	50 Hz	60 Hz
three-phase	601340	MVSI 15/35-S02	00	• 120°C	12.0	12.0	30.2	43.5	0.30	0.43	5.60	5.60	85	95	0.21	0.20	1.78	1.95
	601341	MVSI 15/80-S02	01	• 120°C	31.0	21.0	77.9	76.1	0.76	0.75	6.70	6.40	85	95	0.21	0.20	1.78	1.95
	601366	MVSI 15/100-S02	01	• 120°C	38.9	31.0	97.9	112	0.96	1.10	7.10	6.70	85	95	0.21	0.20	1.78	1.95
	601367	MVSI 15/200-S02	10	• 120°C	84.2	58.8	213	214	2.09	2.10	12.5	11.7	170	170	0.41	0.40	2.34	2.75
	601372	MVSI 15/400-S02	20	• 120°C	163	113	412	411	4.04	4.03	19.0	18.2	300	350	0.60	0.60	3.33	3.50
	601373	MVSI 15/550-S02	20	• 120°C	219	163	552	592	5.42	5.81	20.4	19.0	300	350	0.60	0.60	3.33	3.50
	601408	MVSI 15/700-S02	30	• 120°C	286	209	720	760	7.06	7.46	27.5	26.2	525	665	0.92	0.98	3.48	3.43
	601513	MVSI 15/900-S02	30	• 120°C	357	286	900	1037	8.83	10.2	30.0	27.5	525	665	0.92	0.98	3.48	3.43
	601524	MVSI 15/1100-S02	35	• 120°C	415	271	1045	982	10.3	9.63	35.0	30.5	550	680	0.95	0.95	4.45	4.89
	601217	MVSI 15/1410-S02	40	• 120°C	561	400	1413	1449	13.9	14.2	44.0	41.0	900	1050	1.45	1.50	4.10	4.20
	601219	MVSI 15/1710-S02	50	• 150°C	715	485	1798	1757	17.6	17.2	51.0	48.5	1100	1200	2.00	1.90	4.29	4.89
	601267	MVSI 15/2000-S02	50	• 170°C	817	561	2054	2033	20.1	19.9	55.5	51.5	1350	1450	2.50	2.30	4.30	4.90
	601220	MVSI 15/2410-S08	60	• 150°C	962	674	2420	2444	23.7	24.0	71.0	66.0	1600	1700	3.20	3.00	6.09	7.23
	601268	MVSI 15/3000-S08	60	• 135°C	1235	858	3106	3107	30.5	30.5	80.0	73.5	1900	2000	3.80	3.50	6.50	7.50
	601221	MVSI 15/3810-S02	70	• 135°C	1526	1034	3840	3744	37.7	36.7	119	110	2200	2500	3.90	3.90	7.11	6.92
	601269	MVSI 15/4300-S02	70	• 135°C	1720	1173	4326	4250	42.4	41.7	123	117	2500	2800	4.80	4.65	5.90	7.10
601211	MVSI 15/5010-S02	80	• 135°C	1990	1364	5007	4941	49.1	48.5	161	153	3600	3400	6.00	5.00	7.02	8.00	
601447	MVSI 15/6000-S02	80	• 135°C	2248	1677	5654	6075	55.5	59.6	163.5	155	3600	3400	6.00	5.00	7.02	8.00	
601165	MVSI 15/7000-S02	90	• 135°C	2598	1822	6536	6600	64.1	64.7	208	195	6000	6000	10.5	9.00	6.48	7.67	
601166	MVSI 15/9000-S90	95	□ 135°C	3260	2260	8199	8183	80.4	80.3	225	210	7000	8000	11.6	11.5	5.43	5.57	
601204	MVSI 15/9500-S02	97	□ 135°C	3346	2462	8416	8916	82.6	87.5	317	303	7500	8500	12.2	12.0	6.56	6.67	
601205	MVSI 15/11500-S90	100	□ 135°C	4544	3166	11430	11467	112	112	433	411	10000	10500	17.5	15.5	7.03	8.00	
601271	MVSI 15/14500-S90	100	□ 135°C	5614	4126	14120	14940	138	147	458	424	11000	12000	20.0	20.0	8.00	8.00	
single-phase	601340	MVSI 15/35-S02	00	• 120°C	12.0	12.0	30.2	43.5	0.30	0.43	5.60	5.60	90	100	0.43	1.00	1.20	1.30
	601341	MVSI 15/80-S02	01	• 120°C	31.0	21.0	77.9	76.1	0.76	0.75	6.70	6.40	90	100	0.43	1.00	1.20	1.30
	601366	MVSI 15/100-S02	01	• 120°C	38.9	31.0	97.9	112	0.96	1.10	7.10	6.70	90	100	0.43	1.00	1.20	1.30
	601367	MVSI 15/200-S02	10	• 120°C	84.2	58.8	213	214	2.09	2.10	12.5	11.7	210	230	1.00	2.00	1.50	1.85
	601372	MVSI 15/400-S02	20	• 120°C	163	113	412	411	4.04	4.03	19.0	18.2	240	320	1.20	2.80	2.50	2.21
	601373	MVSI 15/550-S02	20	• 120°C	219	163	552	592	5.42	5.81	20.4	19.0	240	320	1.20	2.80	2.50	2.21
	601408	MVSI 15/700-S02	30	• 120°C	286	209	720	760	7.06	7.46	27.5	26.2	450	550	2.15	5.15	5.44	3.63

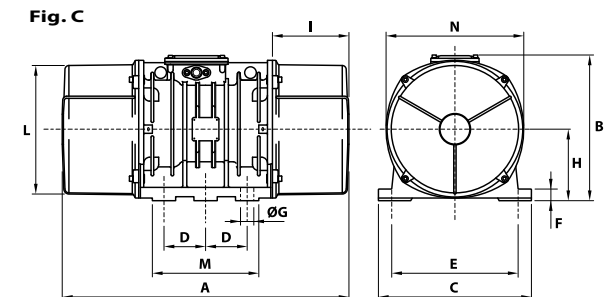
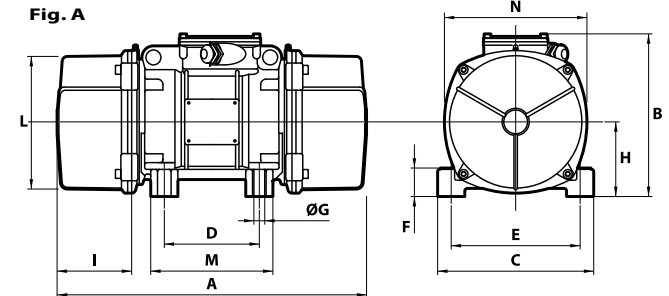
** Working moment = 2 x static moment. □ CSA certification on request, with feeding line included. I_a/I_N = ratio between start-up current and maximum current.

4 poles - 1500/1800 rpm

	Type	Fig.	Dimensional specifications (mm)													Capacitor (µF)		Cable entry thread
			A	B	C	Holes				F	H	I	L	M	N	220 V 50 Hz	115 V 60 Hz	
three-phase	MVSI 15/35-S02	A	211	153	125	62-74**	106	9	4	24	61	46	103	100	117	-	-	M20x1,5
	MVSI 15/80-S02	A	235	153	125	62-74**	106	9	4	24	61	58	103	100	117	-	-	M20x1,5
	MVSI 15/100-S02	A	249 (50Hz) 235 (60Hz)	153	125	62-74**	106	9	4	24	61	65 (50Hz) 58 (60Hz)	103	100	117	-	-	M20x1,5
	MVSI 15/200-S02	A	301	179	152	90	125	13	4	28	73	77	127	128	141	-	-	M20x1,5
	MVSI 15/400-S02	A	344	203	167	105	140	13	4	30	82.5	93	145	140	160	-	-	M25x1,5
	MVSI 15/550-S02	A	386	203	167	105	140	13	4	30	82.5	114	145	140	160	-	-	M25x1,5
	MVSI 15/700-S02	A	394	216	205	120	170	17	4	45	93.5	106	170	160	182	-	-	M25x1,5
	MVSI 15/900-S02	A	394	216	205	120	170	17	4	45	93.5	106	170	160	182	-	-	M25x1,5
	MVSI 15/1100-S02	A	435	225	205	120	170	17	4	54	104.5	117.5	187	162	203	-	-	M25x1,5
	MVSI 15/1410-S02	A	448	246	230	140	190	17	4	54	116	108	207	190	225	-	-	M25x1,5
	MVSI 15/1710-S02	A	500	246	230	140	190	17	4	54	116	134	207	190	225	-	-	M25x1,5
	MVSI 15/2000-S02	A	574	246	230	140	190	17	4	54	116	171	207	180	225	-	-	M25x1,5
	MVSI 15/2410-S08	A	537	272	275	155	225	22	4	70	130	137	238	210	253	-	-	M25x1,5
	MVSI 15/3000-S08	A	617	272	275	155	225	22	4	70	130	177	238	210	253	-	-	M25x1,5
MVSI 15/3810-S02	A	584	321	310	155	255	23.5	4	77	157	137	277	215	295	-	-	M25x1,5	
MVSI 15/4300-S02	A	666 (50Hz) 584 (60Hz)	321	310	155	255	23.5	4	77	157	178 (50Hz) 137 (60Hz)	277	215	295	-	-	M25x1,5	
MVSI 15/5010-S02	A	630	347	340	180	280	26	4	80	165	150	303	240	320	-	-	M32x1,5	
MVSI 15/6000-S02	A	630	347	340	180	280	26	4	80	165	150	303	240	320	-	-	M32x1,5	
MVSI 15/7000-S02	A	680	370	390	200	320	28	4	90	180	160	330	270	350	-	-	M32x1,5	
MVSI 15/9000-S90	A	629	395	392	200	320	28	4	100	192	134,5	355	270	375	-	-	M32x1,5	
MVSI 15/9500-S02	C	862	437	460	125	380	39	6	35	215	230	387	320	414	-	-	M32x1,5	
MVSI 15/11500-S90	C	990	454	530	140	440	45	6	38	230	240	423	370	448	-	-	M32x1,5	
MVSI 15/14500-S90	C	990	454	530	140	440	45	6	38	230	240	423	370	448	-	-	M32x1,5	

single-phase	MVSI 15/35-S02	A	211	153	125	62-74**	106	9	4	24	61	46	103	100	117	3.15	25	M20x1,5
	MVSI 15/80-S02	A	235	153	125	62-74**	106	9	4	24	61	58	103	100	117	3.15	25	M20x1,5
	MVSI 15/100-S02	A	249 (50Hz) 235 (60Hz)	153	125	62-74**	106	9	4	24	61	65 (50Hz) 58 (60Hz)	103	100	117	3.15	25	M20x1,5
	MVSI 15/200-S02	A	301	179	152	90	125	13	4	28	73	77	127	128	141	5	25	M20x1,5
	MVSI 15/400-S02	A	344	203	167	105	140	13	4	30	82.5	93	145	140	160	32/12 ◊	35	M25x1,5
	MVSI 15/550-S02	A	386	203	167	105	140	13	4	30	82.5	114	145	140	160	32/12 ◊	40/35 ◊	M25x1,5
	MVSI 15/700-S02	A	381	210	205	120	170	17	4	45	91.5	88	168	160	178	96/16 ◊	160/40 ◊	M25x1,5

** Slot ◊ Start-up capacitor / Running capacitor. Several sizes are available with different mounting bolt patterns. Please contact sales office at Italvibras.



6 poles - 1000/1200 rpm

	Description				Mechanical specifications								Electrical specifications					
	Code	Type	SIZE	 I12D Temp. class	Static moment* kgmm		Centrifugal force				Weight kg		Max input power W		Max. current A		I _s /I _n	
					50 Hz	60 Hz	50 Hz	60 Hz	50 Hz	60 Hz	50 Hz	60 Hz	50 Hz	60 Hz	400 V 50 Hz	460 V 60 Hz	50 Hz	60 Hz
three-phase	602296	MVSI 10/40-S02	10	• 120°C	30.1	30.1	35.0	49.0	0.331	0.476	9.70	9.70	120	135	0.30	0.30	1.90	2.07
	602297	MVSI 10/100-S02	10	• 120°C	84.2	84.2	94.3	136	0.925	1.33	12.5	12.5	120	135	0.30	0.30	1.90	2.07
	602298	MVSI 10/200-S02	20	• 120°C	163	163	183	264	1.80	2.59	19.0	19.0	185	205	0.50	0.50	2.72	3.10
	602314	MVSI 10/310-S02	30	• 120°C	286	209	321	338	3.15	3.32	27.5	26.2	350	380	0.72	0.68	2.63	2.79
	602402	MVSI 10/550-S02	35	• 120°C	457	457	512	737	5.02	7.23	36.5	36.5	350	380	0.75	0.68	2.53	3.68
	602403	MVSI 10/650-S02	35	• 120°C	580	457	650	737	6.37	7.23	41.0	36.5	350	380	0.75	0.68	2.53	3.68
	602380	MVSI 10/810-S08	40	• 135°C	723	561	809	905	7.94	8.88	48.0	44.0	680	760	1.40	1.35	2.79	3.33
	602381	MVSI 10/1110-S08	50	• 135°C	1012	715	1132	1151	11.1	11.3	58.0	51.0	750	750	1.65	1.50	3.33	4.13
	602382	MVSI 10/1400-S08	50	• 170°C	1274	921	1424	1483	14.0	14.5	66.0	59.5	950	1000	1.80	1.70	3.05	3.65
	602406	MVSI 10/1610-S08	60	• 135°C	1464	962	1638	1549	16.1	15.2	83.0	71.0	1100	1300	2.20	2.20	4.21	4.05
	602407	MVSI 10/2100-S08	60	• 200°C	1927	1318	2154	2102	21.1	20.6	93.0	82.0	1500	1770	3.00	2.75	3.42	4.00
	602167	MVSI 10/2610-S02	70	• 135°C	2326	1720	2601	2747	25.5	26.9	130	116	1960	2100	4.10	3.75	5.35	5.60
	602230	MVSI 10/3000-S02	70	• 135°C	2690	1940	3007	3124	29.5	30.6	145	130	2200	2400	4.50	4.30	4.35	4.81
	602154	MVSI 10/3810-S02	80	• 135°C	3422	2380	3826	3831	37.5	37.6	188	170	2500	3000	5.10	5.00	5.91	6.00
	602204	MVSI 10/4700-S02	80	• 135°C	4206	2887	4701	4648	46.1	46.0	204	183	3200	3600	6.50	6.00	5.24	5.50
	602350	MVSI 10/5150-S02	80	• 135°C	4678	3230	5230	5200	51.3	51.0	225	200	3200	3600	6.50	6.00	5.24	5.50
	602138	MVSI 10/5200-S02	90	• 135°C	4658	3288	5208	5293	51.1	51.9	238	215	3800	4000	7.00	6.50	4.71	5.08
	602351	MVSI 10/5700-S02	90	• 135°C	5044	3478	5650	5600	55.4	54.9	240	220	3800	4000	7.00	6.50	4.71	5.08
	602091	MVSI 10/6500-S02	90	• 135°C	5838	4055	6527	6529	64.0	64.0	268	258	4300	5000	8.20	8.10	4.51	5.83
	602136	MVSI 10/6600-S02 [▲]	97	• 135°C	6083	3979	6799	6405	66.7	62.8	285	257	5000	5900	10.0	9.80	5.61	5.82
	602352	MVSI 10/7000-S02	90	• 135°C	6272	4348	7013	7000	68.8	68.7	275	263	4300	5000	8.20	8.10	4.51	5.83
	602092	MVSI 10/8000-S90	95	□ 135°C	7197	4967	8046	7996	78.9	78.4	315	277	7000	7500	12.6	11.3	4.59	5.58
	602093	MVSI 10/9000-S90	95	□ 135°C	7752	5385	8666	8669	85.0	85.0	326	289	7500	8200	14.0	12.9	4.13	4.88
	602137	MVSI 10/10000-S02	97	□ 135°C	8673	5664	9695	9117	95.1	89.4	381	340	7600	8000	13.5	12.4	4.72	4.92
	602349	MVSI 10/11200-S02	97	□ 135°C	9983	6896	11160	11100	109	109	405	370	7600	8000	13.5	12.4	4.72	4.92
	602134	MVSI 10/12000-S90 [▲]	100	□ 135°C	10996	7543	12294	12141	119	119	500	445	9000	9500	16.3	15.0	5.21	5.73
	602227	MVSI 10/13000-S02	97	□ 135°C	11510	8158	12867	13130	126	129	460	382	9600	10000	17.0	16.0	4.98	5.00
	602142	MVSI 10/15000-S02	105	□ 135°C	12662	8700	14155	14004	139	137	643	605	10600	11270	19.0	18.0	5.88	5.78
	602143	MVSI 10/17500-S02	105	□ 135°C	15500	10439	17327	16804	170	165	705	656	13000	13700	24.5	23.0	5.71	5.96
	602244	MVSI 10/19500-S02	105	□ 135°C	17947	11430	20062	18400	197	181	711	661	14000	14800	25.5	24.0	5.49	-
	602144	MVSI 10/22000-S90	110	□ 135°C	20025	12533	22386	20208	220	198	926	896	19000	19000	33.0	25.5	4.67	5.88
	602273	MVSI 10/25000-S90	110	□ 135°C	22364	14785	25000	23800	245	233	960	928	19000	19000	33.0	25.5	4.67	-
	602336	MVSI 10/30000-S02	120	-	-	27285	18760	30560	30200	300	296	1200	1050	24000	25800	40.0	38.0	4.89

* Working moment = 2 x static moment. [▲] For special application. □ CSA certification on request, with feeding line included.
I_s/I_n = ratio between start-up current and maximum current.

6 poles - 1000/1200 rpm

three-phase

Type	Fig.	Dimensional specifications (mm)														Cable entry thread
		A	B	C	D	E	Holes		F	H	I	L	M	N		
							øG	N°								
MVSI 10/40-S02	A	255	179	152	90	125	13	4	28	73	54	127	128	141	M20x1,5	
MVSI 10/100-S02	A	301	179	152	90	125	13	4	28	73	77	127	128	141	M20x1,5	
MVSI 10/200-S02	A	344	203	167	105	140	13	4	30	82.5	93	145	140	160	M25x1,5	
MVSI 10/310-S02	A	394	216	205	120	170	17	4	45	93.5	106	170	160	182	M25x1,5	
MVSI 10/550-S02	A	435	225	205	120	170	17	4	54	104.5	117.5	187	162	203	M25x1,5	
MVSI 10/650-S02	A	480 (50Hz) 435 (60Hz)	225	205	120	170	17	4	54	104.5	140 (50Hz) 117.5 (60Hz)	187	162	203	M25x1,5	
MVSI 10/810-S08	A	500 (50Hz) 448 (60Hz)	246	230	140	190	17	4	54	116	134 (50Hz) 108 (60Hz)	207	190	225	M25x1,5	
MVSI 10/1110-S08	A	574	246	230	140	190	17	4	54	116	171	207	190	225	M25x1,5	
MVSI 10/1400-S08	A	574	246	230	140	190	17	4	54	116	171	207	190	225	M25x1,5	
MVSI 10/1610-S08	A	617 (50Hz) 537 (60Hz)	272	275	155	225	22	4	70	130	177 (50Hz) 137 (60Hz)	238	210	253	M25x1,5	
MVSI 10/2100-S08	A	617	272	275	155	225	22	4	70	130	177	238	210	253	M25x1,5	
MVSI 10/2610-S02	A	666	321	310	155	255	23.5	4	77	157	178	277	215	295	M25x1,5	
MVSI 10/3000-S02	A	712	321	310	155	255	23.5	4	77	157	201	277	215	295	M25x1,5	
MVSI 10/3810-S02	A	734	347	340	180	280	26	4	80	165	202	303	240	320	M32x1,5	
MVSI 10/4700-S02	A	796	347	340	180	280	26	4	80	165	233	303	240	320	M32x1,5	
MVSI 10/5150-S02	A	826	347	340	180	280	26	4	80	165	248	303	240	320	M32x1,5	
MVSI 10/5200-S02	A	744	370	390	200	320	28	4	90	180	192	330	270	350	M32x1,5	
MVSI 10/5700-S02	A	840	370	390	200	320	28	4	90	180	240	330	270	350	M32x1,5	
MVSI 10/6500-S02	A	840	370	390	200	320	28	4	90	180	240	330	270	350	M32x1,5	
MVSI 10/6600-S02 ^Δ	C	750	437	460	125	380	39	6	35	215	174	387	320	414	M32x1,5	
MVSI 10/7000-S02	A	840	370	390	200	320	28	4	90	180	240	330	270	350	M32x1,5	
MVSI 10/8000-S90	A	870	395	392	200	320	28	4	100	192	255	355	270	375	M32x1,5	
MVSI 10/9000-S90	A	870	395	392	200	320	28	4	100	192	255	355	270	375	M32x1,5	
MVSI 10/10000-S02	C	862	437	460	125	380	39	6	35	215	230	387	320	414	M32x1,5	
MVSI 10/11200-S02	C	912	437	460	125	380	39	6	35	215	255	387	320	414	M32x1,5	
MVSI 10/12000-S90 ^Δ	C	990	454	530	140	440	45	6	38	230	240	423	370	448	M32x1,5	
MVSI 10/13000-S02	C	1002	437	460	125	380	39	6	35	215	300	387	320	414	M32x1,5	
MVSI 10/15000-S02	F	960	526	570	140	480	45	8	41	268	200	486	510	516	M32x1,5	
MVSI 10/17500-S02	F	1040	526	570	140	480	45	8	41	268	240	486	510	516	M32x1,5	
MVSI 10/19500-S02	F	1120	526	570	140	480	45	8	41	268	280	486	510	516	M32x1,5	
MVSI 10/22000-S90	F	1150	607	610	140	520	45	8	38	297	297.5	542	510	582	M32x1,5	
MVSI 10/25000-S90	F	1150	607	610	140	520	45	8	38	297	297.5	542	510	582	M32x1,5	
MVSI 10/30000-S02	Q	1205	648	700	140	600	45	8	45	320	310	600	510	660	M32x1,5	

^Δ For special application. Several sizes are available with different mounting bolt patterns. Please contact sales office at Italtibras.

Fig. A

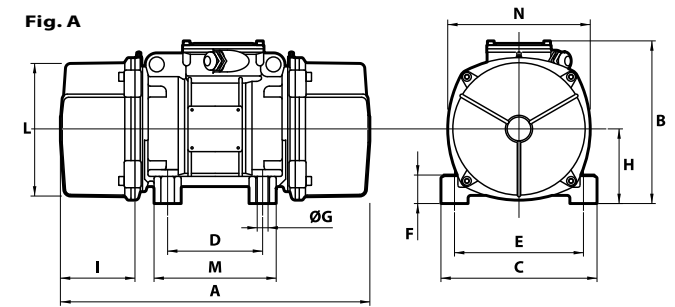


Fig. C

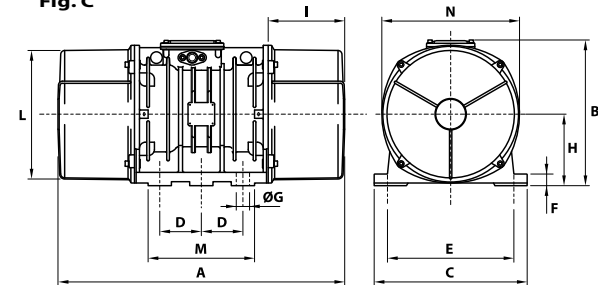


Fig. F

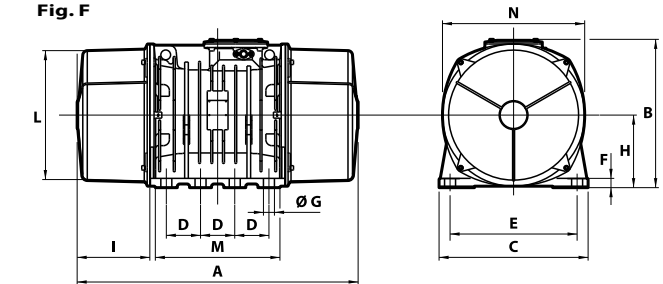
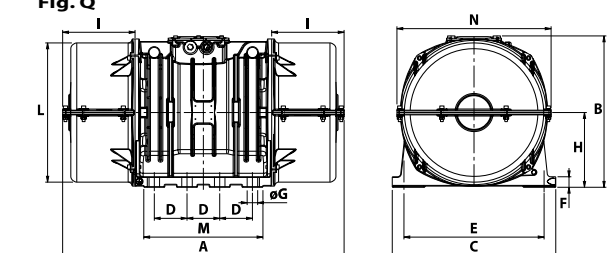


Fig. Q



8 poles - 750/900 rpm

	Description					Mechanical specifications						Electrical specifications							
	Code	Type	SIZE	II2D Temp. class	II2D class	Static moment* kgmm		Centrifugal force				Weight kg		Max input power W		Max. current A		I _a /I _n	
						50 Hz	60 Hz	50 Hz	60 Hz	50 Hz	60 Hz	50 Hz	60 Hz	50 Hz	60 Hz	400 V 50 Hz	460 V 60 Hz	50 Hz	60 Hz
three-phase	602568	MVSI 075/150-S02	20	•	130°C	163	163	104	149	1.02	1.46	19.0	19.0	230	250	0.85	0.76	2.13	2.11
	602575	MVSI 075/250-S02	30	•	130°C	286	286	181	260	1.76	2.55	27.5	27.5	350	380	1.10	1.05	2.03	2.29
	602615	MVSI 075/400-S02	35	•	120°C	457	457	288	415	2.83	4.07	36.5	36.5	280	300	0.60	0.68	1.73	2.94
	602616	MVSI 075/530-S02	35	•	120°C	580	580	365	528	3.60	5.20	41.0	41.0	280	300	0.60	0.68	1.73	2.94
	602609	MVSI 075/660-S08	40	•	120°C	723	723	456	656	4.47	6.44	48.0	48.0	400	450	1.20	1.20	2.38	2.58
	602610	MVSI 075/910-S08	50	•	120°C	1012	1012	637	917	6.25	9.00	58.0	58.0	400	500	1.40	1.30	2.38	2.85
	602618	MVSI 075/1310-S08	60	•	150°C	1464	1464	922	1327	9.04	13.0	83.0	83.0	950	1100	2.20	2.20	2.63	3.41
	602619	MVSI 075/1750-S08	60	•	150°C	1927	1927	1214	1747	11.9	17.1	93.0	93.0	1100	1300	2.60	2.60	2.78	3.04
	602891	MVSI 075/2110-S02	70	•	135°C	2326	2326	1463	2107	14.4	20.7	130	130	1500	1790	4.10	4.20	3.55	2.95
	602884	MVSI 075/3110-S02	80	•	135°C	3422	3422	2152	3099	21.1	30.4	188	188	2000	2300	5.40	5.20	3.98	4.62
	602515	MVSI 075/3800-S02	80	•	135°C	4206	4206	2645	3808	25.9	37.4	204	204	2500	3000	6.00	6.00	4.00	4.20
	602862	MVSI 075/4200-S02	90	•	135°C	4658	4658	2930	4218	28.7	41.4	238	238	2800	3350	6.50	6.50	3.84	4.00
	602826	MVSI 075/5300-S02	90	•	135°C	5838	5838	3672	5287	36.0	51.9	268	268	4000	4300	8.20	7.85	3.87	5.35
	602827	MVSI 075/6500-S90	95	□	135°C	7197	7197	4526	6517	44.4	63.9	315	315	4900	5800	9.90	9.50	3.04	3.26
	602551	MVSI 075/6800-S02 ^Δ	97	□	135°C	7340	7340	4616	6647	45.3	65.2	330	330	5600	6000	10.5	10.0	3.12	3.30
	602870	MVSI 075/10000-S02	97	□	135°C	12390	10973	7792	9937	76.4	97.5	438	419	6800	7450	13.2	12.0	3.33	3.92
	602863	MVSI 075/12000-S90	100	□	135°C	13816	12407	8689	11235	85.2	110	540	520	7600	8300	14.0	13.5	3.72	3.78
	602871	MVSI 075/14000-S02	105	□	135°C	17946	15500	11285	14036	111	138	702	680	9200	9600	21.0	19.5	4.99	5.44
602872	MVSI 075/17000-S02	105	□	135°C	21337	19064	13418	17263	132	169	755	711	10400	11140	22.0	20.0	5.50	5.90	
602873	MVSI 075/22000-S90	110	□	135°C	28633	24508	18005	22192	177	218	1015	981	12500	16200	26.5	28.0	5.63	4.71	
602535	MVSI 075/26000-S90	110	□	135°C	-	28633	-	25927	-	254	-	1015	-	16200	-	28.0	-	4.71	
602589	MVSI 075/30000-S02	120	-	-	33440	33440	21070	30430	207	299	1125	1160	-	-	-	-	-	-	

* Working moment = 2 x static moment. ^Δ For special application. □ CSA certification on request, with feeding line included.
I_a/I_n = ratio between start-up current and maximum current.

Type	Dimensional specifications (mm)														Cable entry thread
	Fig.	A	B	C	D	E	Holes		F	H	I	L	M	N	
							øG	N°							
MVSI 075/150-S02	A	344	203	167	105	140	13	4	30	82.5	93	145	140	160	M25x1,5
MVSI 075/250-S02	A	394	216	205	120	170	17	4	45	93.5	106	170	160	182	M25x1,5
MVSI 075/400-S02	A	435	225	205	120	170	17	4	54	104.5	117.5	187	162	203	M25x1,5
MVSI 075/530-S02	A	480	225	205	120	170	17	4	54	104.5	140	187	162	203	M25x1,5
MVSI 075/660-S08	A	500	246	230	140	190	17	4	54	116	134	207	190	225	M25x1,5
MVSI 075/910-S08	A	574	246	230	140	190	17	4	54	116	171	207	190	225	M25x1,5
MVSI 075/1310-S08	A	617	272	275	155	225	22	4	70	130	177	238	210	253	M25x1,5
MVSI 075/1750-S08	A	617	272	275	155	225	22	4	70	130	177	238	210	253	M25x1,5
MVSI 075/2110-S02	A	666	321	310	155	255	23.5	4	77	157	178	277	215	295	M25x1,5
MVSI 075/3110-S02	A	734	347	340	180	280	26	4	80	165	202	303	240	320	M32x1,5
MVSI 075/3800-S02	A	796	347	340	180	280	26	4	80	165	233	303	240	320	M32x1,5
MVSI 075/4200-S02	A	744	370	390	200	320	28	4	90	180	192	330	270	350	M32x1,5
MVSI 075/5300-S02	A	840	370	390	200	320	28	4	90	180	240	330	270	350	M32x1,5
MVSI 075/6500-S90	A	870	395	392	200	320	28	4	100	192	255	355	270	375	M32x1,5
MVSI 075/6800-S02	Δ C	862	437	460	125	380	39	6	35	215	230	387	320	414	M32x1,5
MVSI 075/10000-S02	C	1002	437	460	125	380	39	6	35	215	300	387	320	414	M32x1,5
MVSI 075/12000-S90	C	1070	454	530	140	440	45	6	38	230	280	423	370	448	M32x1,5
MVSI 075/14000-S90	F	1040	526	570	140	480	45	8	41	268	240	486	510	516	M32x1,5
MVSI 075/17000-S90	F	1120	526	570	140	480	45	8	41	268	280	486	510	516	M32x1,5
MVSI 075/22000-S90	F	1150	607	610	140	520	45	8	38	297	297.5	542	510	582	M32x1,5
MVSI 075/26000-S90	F	1150	607	610	140	520	45	8	38	297	297.5	542	510	582	M32x1,5
MVSI 075/30000-S02	Q	1205	648	700	140	600	45	8	45	320	310	600	510	660	M32x1,5

Δ For special application. Several sizes are available with different mounting bolt patterns. Please contact sales office at Italtibras.

Fig. A

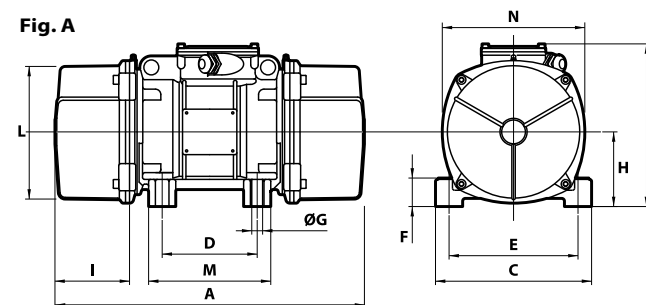


Fig. C

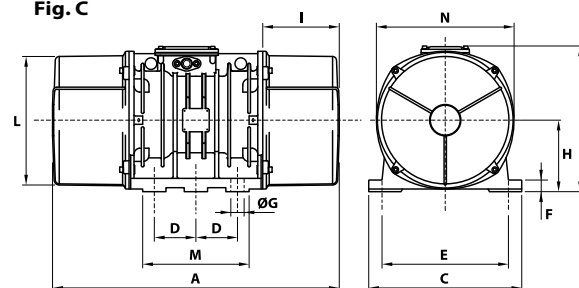


Fig. F

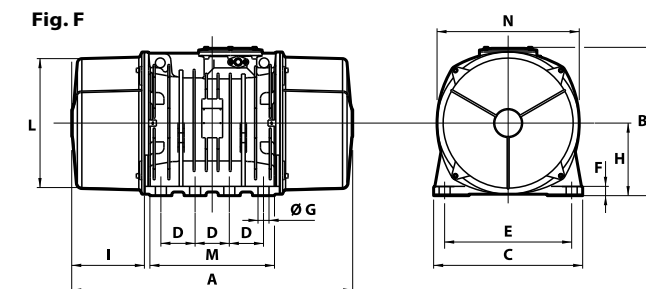


Fig. Q

