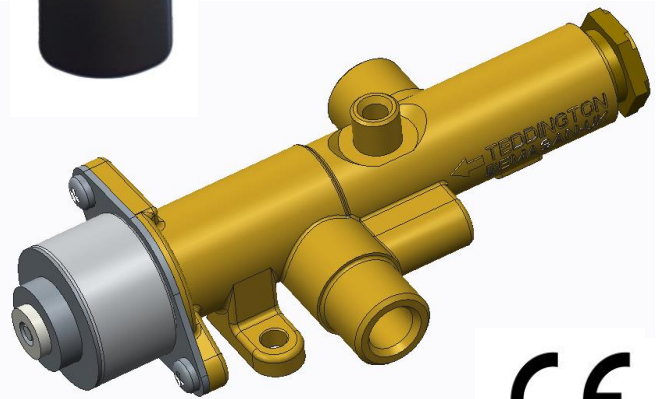
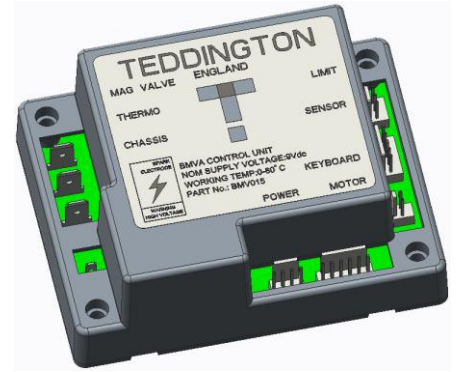




BMVA

Motorised Remote Valve

- Designed and manufactured in UK
- Small footprint
- Easy to install
- Infrared (IR) or radio frequency (RF)
- Battery powered (mains power not required)
- Long battery life
- Audible operation tones
- Automatic ignition sequence
- Optional touch panel keypad available
- UK Patent Application No. 1402099.4



Application

The BMVA is an advanced remote control system for installation in domestic gas fires.

Physical Description

The BMVA consists of:

1. Motorised valve

The BMVA control is a combined gas tap and flame supervision device operated by a stepper motor.

2. Electronic Control Board (ECB)

Providing the interface between the motorised valve and remote handset the ECB manages valve functionality and output.

3. Remote Handset

The remote handset allows the end user full control of their fire from the comfort of their armchair.

The Teddington team will be happy to consult and assist with the implementation and introduction of the BMVA system onto an OEM's appliance.

Operation

Following successful installation of the fire and with batteries connected to the electronic control board and remote handset. Press the 'start' buttons on the remote handset to initiate the ignition process. The pilot flame will ignite, once the systems safety protocols have been observed the main burner will automatically cross light.

The BMVA provides a range of heat outputs from 'high' to an adjustable low rate (factory or OEM set) all selectable from the remote handset.

To turn the fire off, press the 'off' button once.

An audible operation and fault code system provides feedback to the user. Details of the audible codes are contained within the systems instructions which are provided with each delivery.

Technical Specification

Motorised Valve

Max. working pressure	100 mbar
Full on (high) flow rate	1200 l/hr AIR (min) @ 20 mbar
Minimum (low) rate	Adjustable
Gas families	1 st , 2 nd & 3 rd
Max. operating temperature	+80°C
Class	A
Group	1
Mounting position	Universal
Gas connection (Inlet)	To suit Ø8mm pipe (M14x1.5)
Gas connection (Outlet)	To suit Ø8mm pipe (M14x1.5)
Gas connection (Pilot)	To suit Ø4mm pipe (M8x1)
Thermocouple connection	M9x1
Voltage supply	Via electronic control board
Motor leads	500mm
FSD (magnet unit)	Holding ≤200mA, drop out ≥80mA

Electronic Control Board

Supply voltage	9Vdc *
Max. operating temperature	+80°C

IR Remote Control Handset

Supply voltage	3Vdc (two 1.5V AAA batteries*)
Max. operating temperature	+50°C

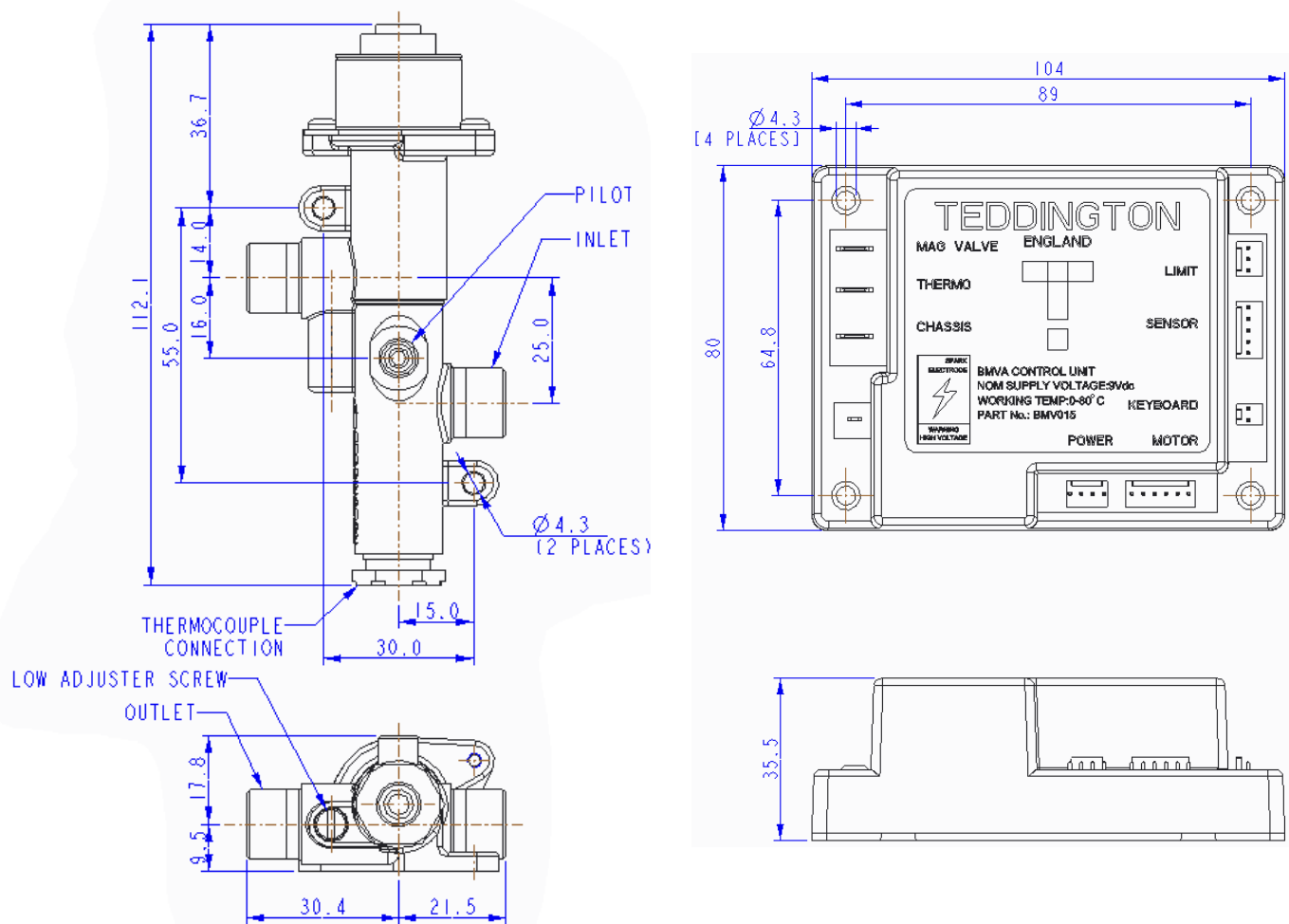
* Batteries are not included.

Certification

Certificate No. CE 604499

Outline Details

[All dimensions in mm]



Note: Specification subject to change without prior notice



FM 23678

Manufactured by
Teddington Bemasas Ltd

Part of the **Teddington Group**

Owen Road • Penn Fields • Wolverhampton • West Midlands • WV3 0BB • UK

Tel: +44(0)1902 772 975 • Fax: +44(0)1902 424 374

www.tecon.com • www.nevalves.com



Smart Precise - Flow Controls
part of the Teddington Group