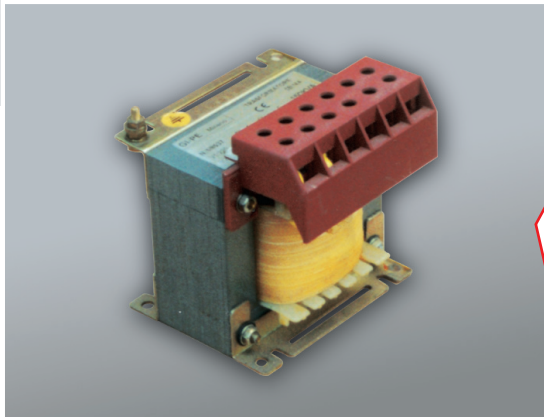




Gi.Pe

Transformers

E L E T T R O M E C C A N I C A



TRANSFORMERS

Transformer

Dry-type single-phase with power till 2500 Va.

One coil execution

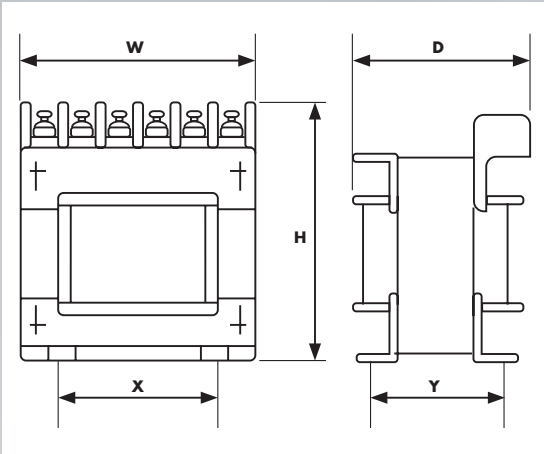
Technical norms: EN 60076

Insulation or safety Transformers: EN 61558-2-6 (as far as measures are concerned, see the superior powers)

Class "F", on demand also other insulation classes.

Single-phase
Transformer
one coil execution.
Dimensions

Not binding maximum dimensions



Power HP	W	D	H	X	Y	Weight Kg
40	75	80	90	55	47	1
50	75	85	90	55	52	1,25
70	75	95	90	55	62	1,6
100	96	90	110	67	58	1,12
125	96	98	110	67	66	2,65
150	96	108	110	67	76	3,2
250	96	118	110	67	86	3,8
300	120	100	120	80	67	4,4
400	120	110	120	80	77	5,1
500	120	125	120	80	92	6,3
600	120	140	120	80	107	7,6
700	150	120	170	105	79	8,15
800	150	130	170	105	89	9,2
1000	150	140	170	105	99	11,3
1100	150	160	170	105	119	13,6
1250	150	170	170	105	129	14,9
1500	180	140	200	130	90	15,8
1750	180	160	200	130	110	17,6
2000	180	180	200	130	130	21,8
2500	190	180	210	140	135	27,2
3000	190	200	210	140	155	34